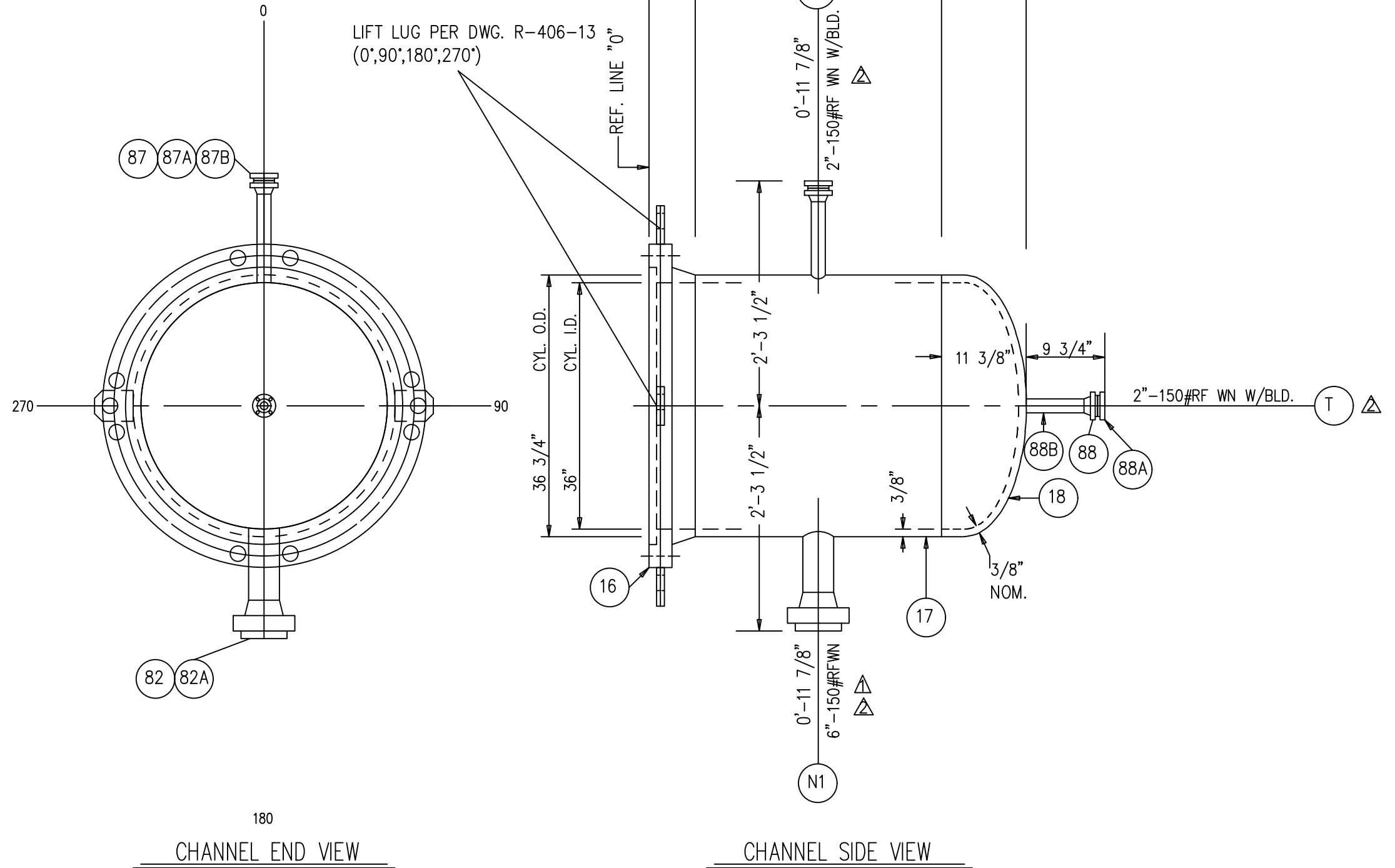


FOR FLANGE DETAILS SEE DWG. R-406-14



NOTES:

- 1) ALL WELDING TO BE IN ACCORDANCE W/ APPROVED PROCEDURES.
- 2) ALL BOLT HOLES TO STRADDLE NATURAL CENTER LINES.
- 3) FOR WELD AND BEVEL DETAILS SEE DWG. R-406-15
- 4) GRIND ALL INSIDE WELDS SMOOTH.
- 5) FULL RADIOGRAPHY IS REQUIRED.

CHANNEL END VIEW

CHANNEL SIDE VIEW



BOTTOM CHANNEL DETAILS

CUSTOMER: NOVVI  
 JOB NO.: HVM1905003  
 ITEM NO.: R406

REV.	DESCRIPTION	DATE	BY
2	PER CUST. COMMENTS	8/11/19	LC
1	PER CUST. COMMENTS	6/13/19	LC