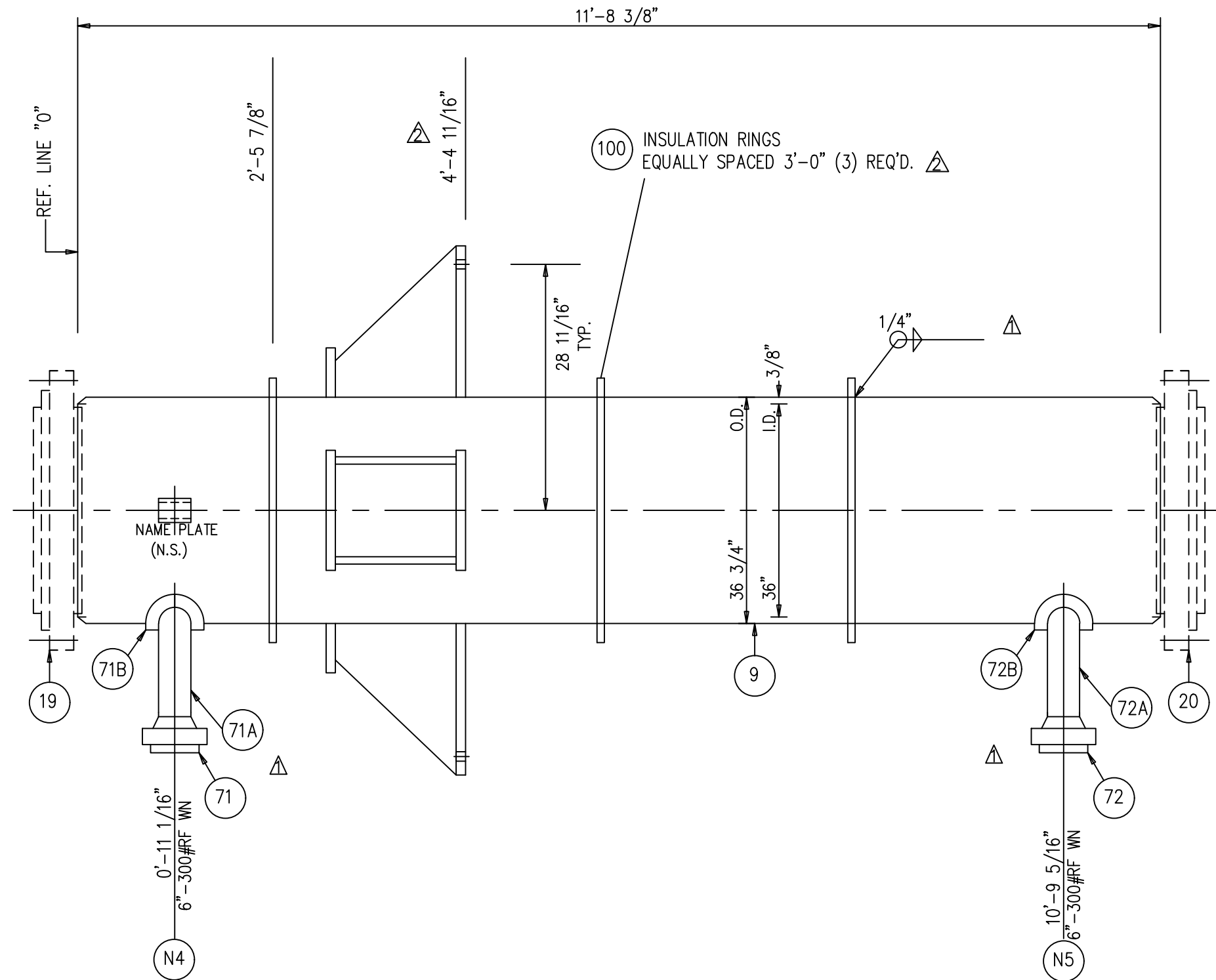


SHELL END VIEW



SHELL SIDE VIEW

NOTES:

- 1) ALL WELDING TO BE IN ACCORDANCE W/ APPROVED PROCEDURES.
- 2) ALL BOLT HOLES TO STRADDLE NATURAL CENTER LINES.
- 3) FOR WELD AND BEVEL DETAILS SEE DWG. R-406-15
- 4) GRIND ALL INSIDE WELDS FLUSH.
- 5) FULL RADIOGRAPHY IS REQUIRED.



SHELL DETAILS

CUSTOMER: NOVVI
JOB NO.: HVM1905003
ITEM NO.: R406

| REV. | DESCRIPTION | DATE | BY |
|------|-----------------------|---------|----|
| 2 | PER CUSTOMER COMMENTS | 8/11/19 | LC |
| 1 | AS SHOWN | 6/13/19 | LC |

R-406-4